



# PS2000 PS3000 PT2000 PT3000

## Articulated Site Dumpers

<b>OPERATING WEIGHT</b>	4,520 - 5,622 lbs (2,050 - 2,550 kg)
<b>NET ENGINE POWER</b>	33 - 43 hp (24.5 - 32.4 kW)
<b>HEAPED</b>	2.3 - 2.6 yd <sup>3</sup> (1,720 - 1,950 L)



ARTICULATED SITE DUMPERS

### Specifications

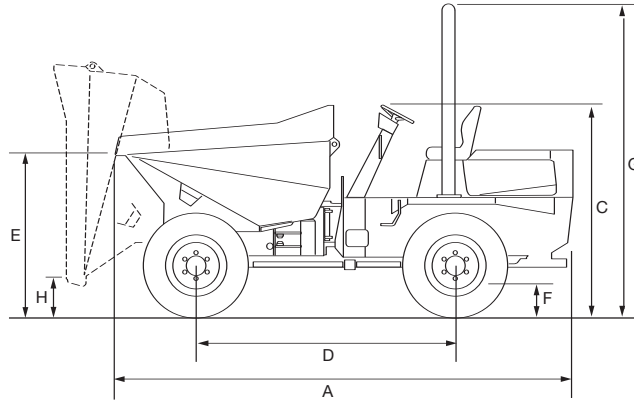
Engine		PT2000	PS2000	PT3000	PS3000
Model		Kubota D1705M	Kubota D1705M	Kubota V2203M	Kubota V2203M
Power	hp (kW)	33 (24.5)	33 (24.5)	43 (32.4)	43 (32.4)
Bucket Capacities					
Payload	lbs (kg)	4,409 (2,000)	4,409 (2,000)	6,614 (3,000)	6,614 (3,000)
Water	yd <sup>3</sup> (L)	1.2 (900)	1.2 (910)	1.6 (1,250)	1.3 (1,000)
Struck	yd <sup>3</sup> (L)	1.7 (1,320)	1.4 (1,080)	2.1 (1,600)	2.0 (1,500)
Heaped	yd <sup>3</sup> (L)	2.3 (1,720)	1.9 (1,440)	2.6 (1,950)	2.4 (1,870)
Transmission and Ground Speed, 4WD					
Type		3/1 manual - permanent 4WD			
Speed	mph (kph)	12 (20)	12 (20)	12 (19)	12 (19)
Tires					
Rough Terrain		10.0/75x15.3x8ply	10.0/75x15.3x8ply	11.5/80x15.3x8ply	11.5/80x15.3x8ply
Operating Weight					
Weight	lbs (kg)	4,520 (2,050)	5,115 (2,320)	4,982 (2,260)	5,622 (2,550)
Brakes					
All models have totally enclosed, oil immersed, multi-plate disc brakes.					

Articulated Site Dumpers

**PS2000 PS3000**

**PT2000 PT3000**

**Dimensions**



Dumper Dimensions		PT2000	PS2000	PT3000	PS3000
A Total length	(in/mm)	141 (3,570)	150 (3,800)	148 (3,755)	152 (3,850)
B Total width	(in/mm)	73 (1,860)	71 (1,800)	77 (1,950)	73 (1,860)
C Height to top of steering wheel	(in/mm)	70 (1,770)	70 (1,770)	73 (1,860)	73 (1,860)
D Wheelbase	(in/mm)	77 (1,950)	77 (1,950)	77 (1,950)	77 (1,950)
E Height front bucket tip	(in/mm)	50 (1,270)	50 (1,270)	56 (1,430)	59 (1,500)
F Ground clearance	(in/mm)	11 (275)	11 (275)	12 (300)	12 (300)
G Height to top of ROPS	(in/mm)	104 (2,635)	104 (2,635)	106 (2,680)	106 (2,680)
H Height to front lip of bucket	(in/mm)	9 (230)	43 (1,100)	10 (250)	43 (1,100)
Turning radius outside of bucket	(ft-in/mm)	14' 4" (4,350)	15' 1" (4,665)	14' 4" (4,350)	15' 1" (4,665)
Weight	(lbs/kg)	4,520 (2,050)	5,115 (2,320)	4,982 (2,260)	5,662 (2,550)
Steering Angle	degrees	+/- 30°	+/- 30°	+/- 30°	+/- 30°
Oscillation	degrees	+/- 10.5°	+/- 10.5°	+/- 10.5°	+/- 10.5°
Tipping type		Forward	Swing 180°	Forward	Swing 180°

Electrical System				
	PT2000	PS2000	PT3000	PS3000
Voltage	12 V	12 V	12 V	12 V
Battery	74 Ah	74 Ah	74 Ah	74 Ah
Alternator	55 A	55 A	55 A	55 A

Braking System				
	PT2000	PS2000	PT3000	PS3000
Foot Brake	Oil immersed discs on front		Oil immersed discs on front/rear	
Parking Brake	Over center handbrake - Oil immersed disc front axle			



**Terex Construction Americas**

8800 Rostin Road  
Southaven, MS 38671  
USA

TEL 662-393-1800  
SALES 866-837-3923  
PARTS & TECH SUPPORT 888-201-6008  
FAX 662-393-1700  
EMAIL sales@terexca.com  
WEB terexca.com

For more information, product demonstration, or details on purchase, lease and rental plans, please contact your local Terex Distributor.

Effective date: August 15, 2006. For further information, please contact your local distributor or the Terex sales office listed. Product specifications are subject to change without notice or obligation. The photographs and drawings in this brochure are for illustrative purposes only. Refer to the appropriate Operator's Manual for instructions on the proper use of this equipment. Failure to follow the appropriate Operator's Manual when using our equipment or to otherwise act irresponsibly may result in serious injury or death. Prices and specifications subject to change without notice. The only warranty applicable is the standard written warranty applicable to the particular product and sale. Terex makes no other warranty, expressed or implied. Products and services listed may be trademarks, service marks or trade-names of Terex Corporation and/or its subsidiaries in the USA and other countries and all rights are reserved. "Terex" is a Registered Trademark of Terex Corporation in the USA and many other countries. Copyright ©2006 Terex Corporation